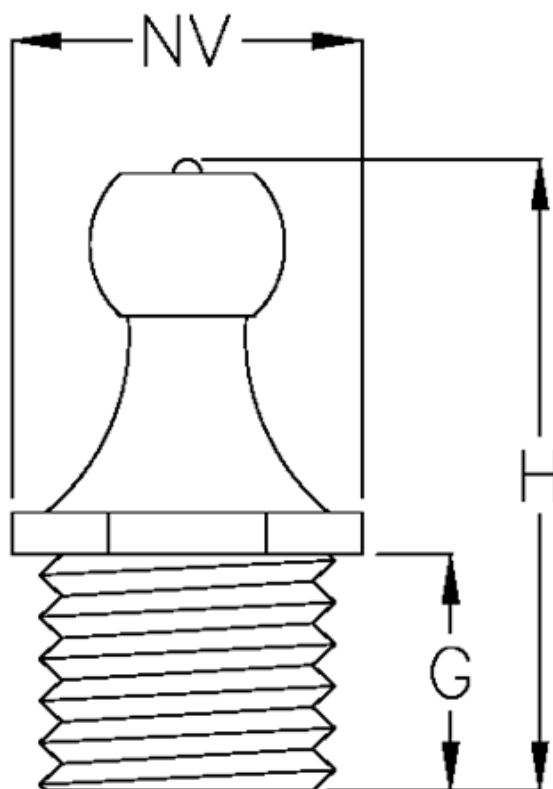


Article number: 53090106

Description: KLEE Hydraulic lubricating nipple DIN 71412
H1 straight, M8x1,25

Measures



G = 6

H = 16

NV = 8,9

Thread = M8x1,25